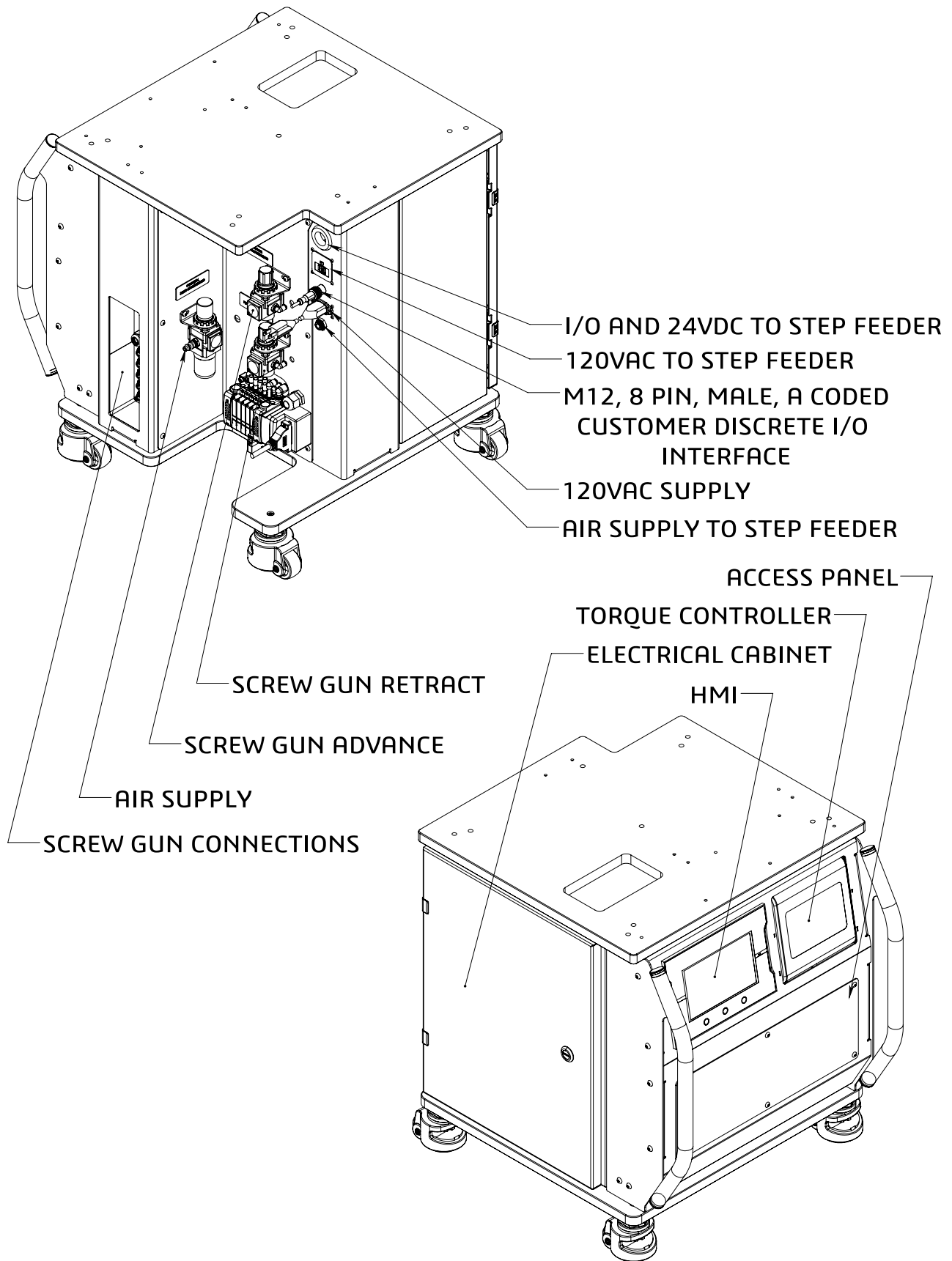


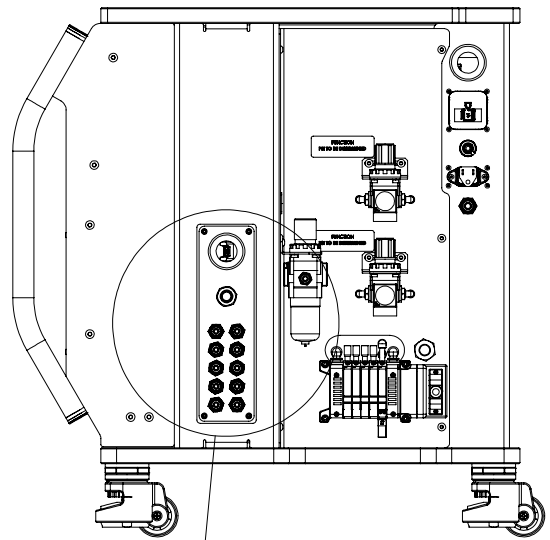
# Table of Contents

1.0 Overview .....	3
1.1 Overview Continued.....	4
2.0 Technical Specifications .....	5
3.0 Features .....	6
3.1 Access Panel Removal .....	6
3.2 Pneumatic Panel Removal.....	7
4.0 Recommended Spare Parts .....	8

# 1.0 Overview



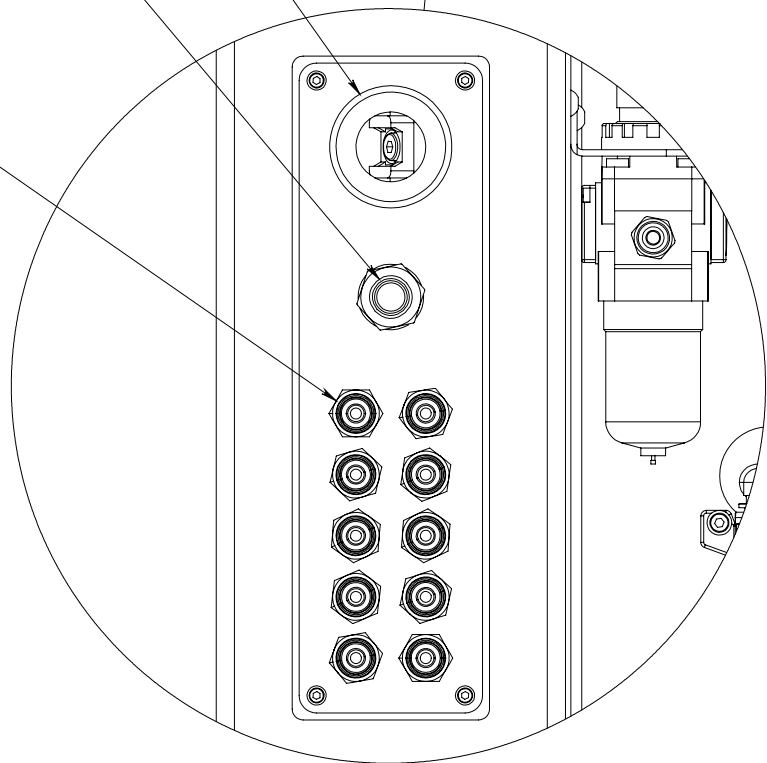
# 1.1 Overview Continued



SCREW GUN CONTROL CABLE EXIT

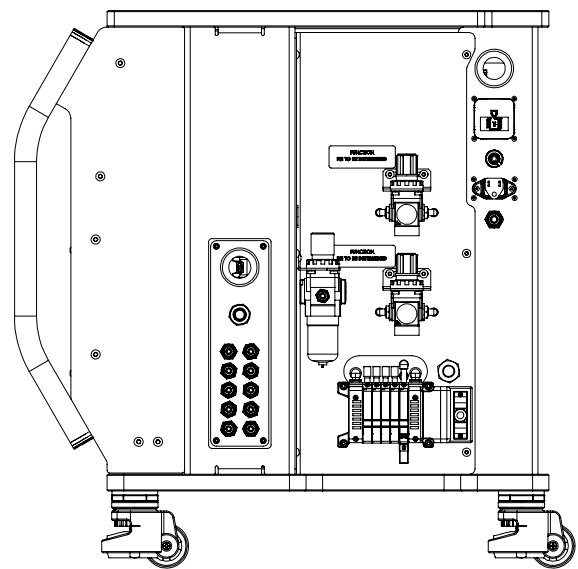
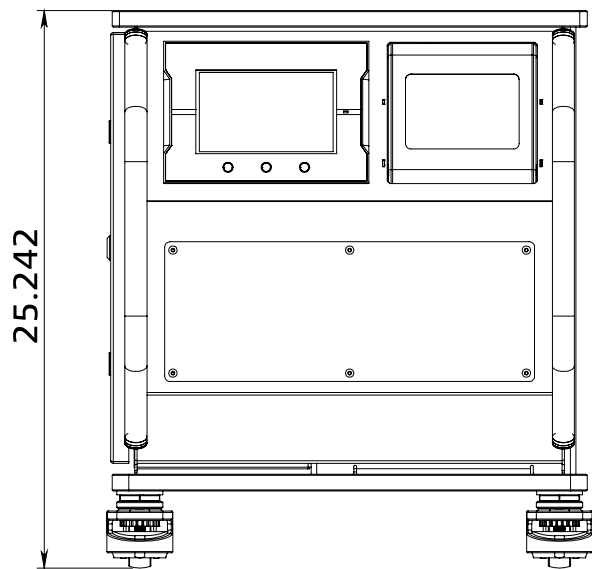
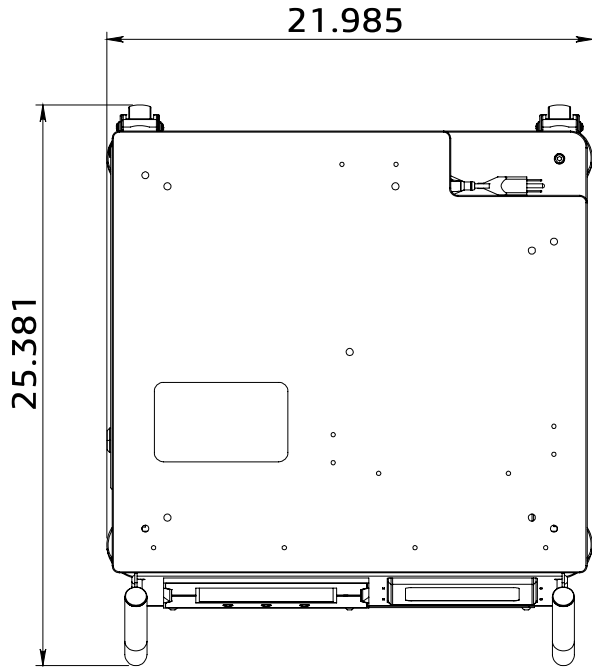
I/O AND 24VDC TO SCREW GUN

AIR SUPPLY TO SCREW GUN



## 2.0 Technical Specifications

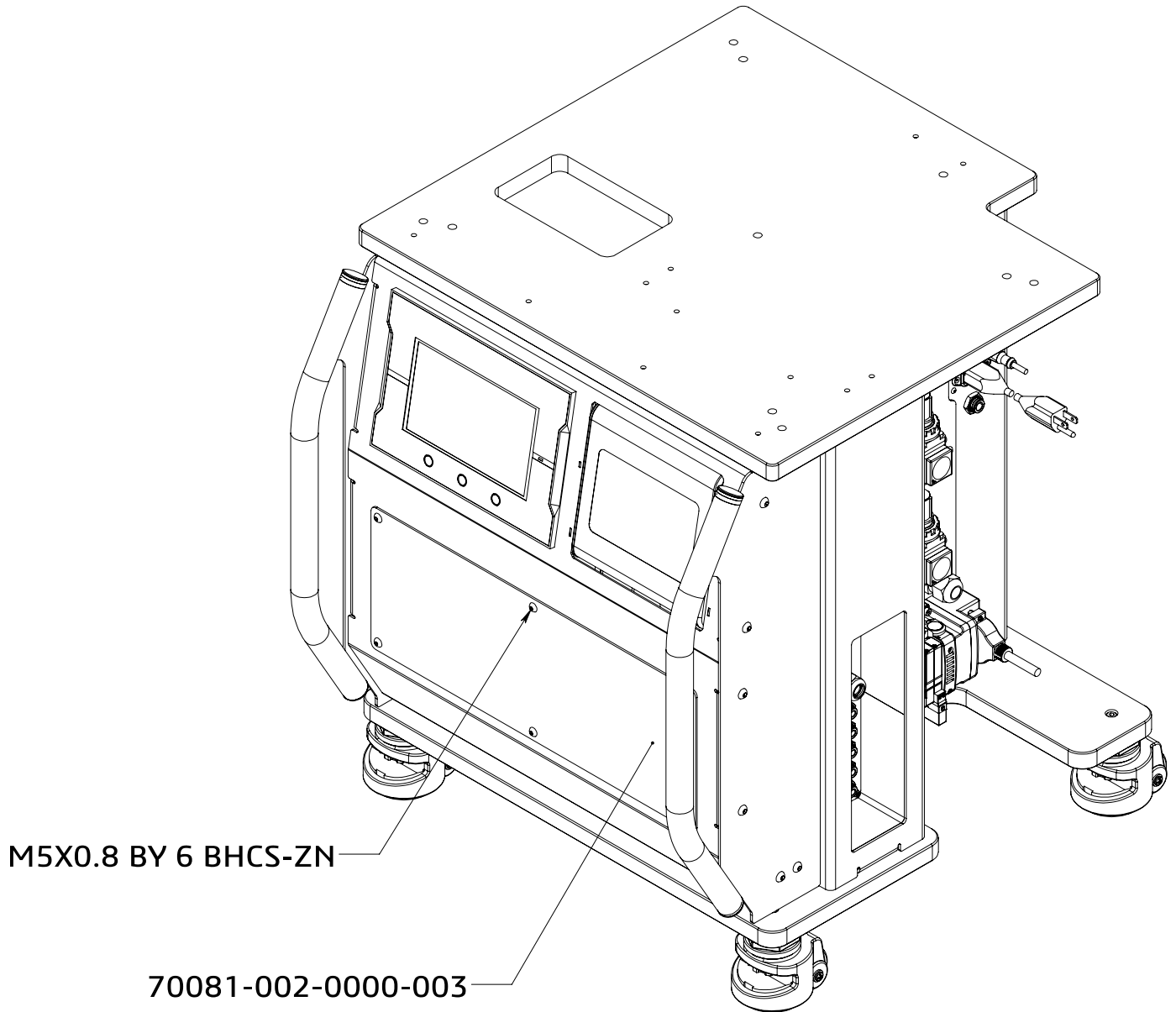
Foot Print (Height x Width x Depth):	26" x 22" x 26"
Weight:	211 Pounds
Electrical Requirements:	120VAC/ 60Hz
Pneumatic Requirements:	80-115 PSI, ISO 8573-1:2010 [7:4:4]



## 3.0 Features

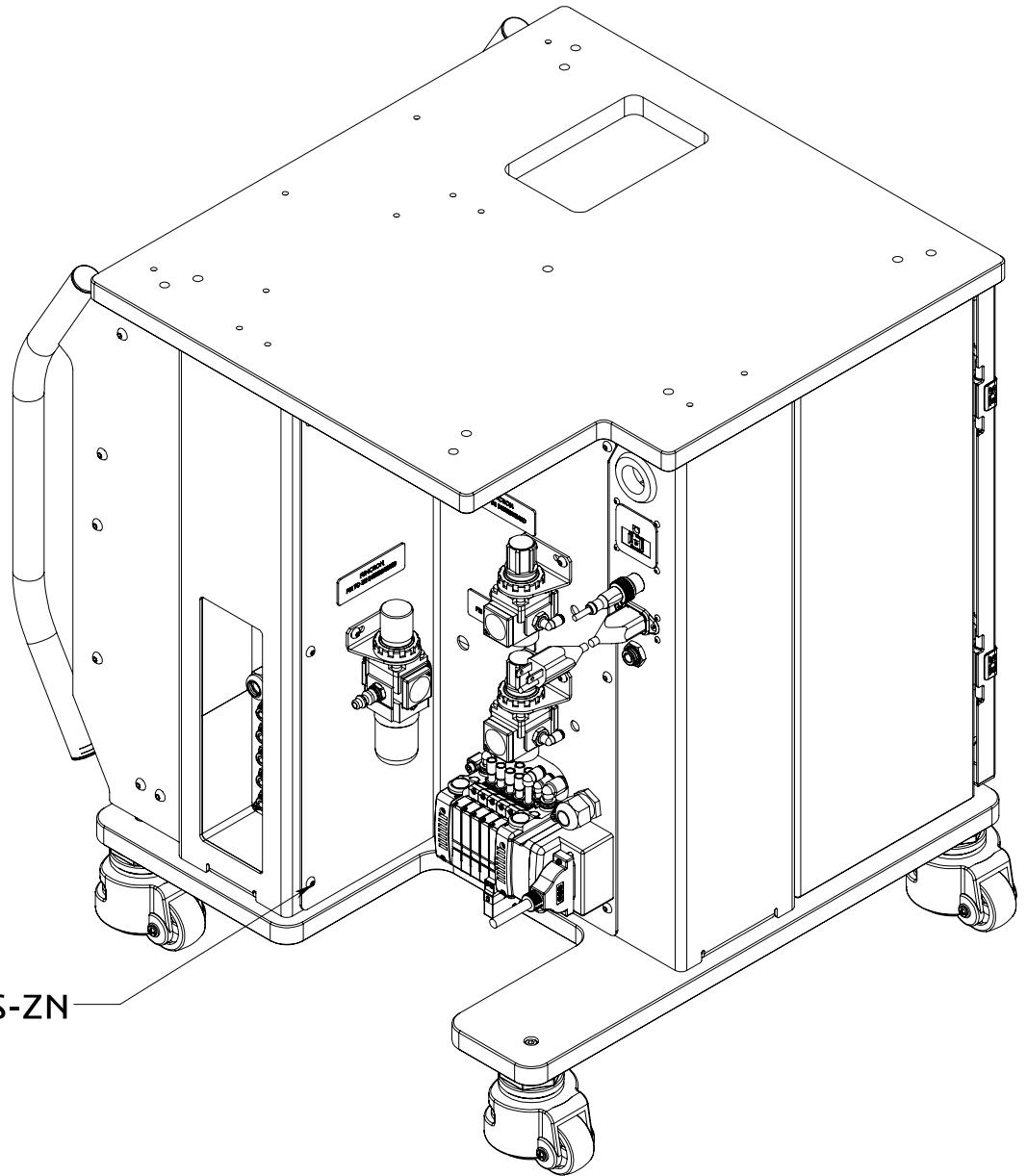
### 3.1 Access Panel Removal

Use a 3mm hex key to remove the access panel.



### 3.2 Pneumatic Panel Removal

Use a 3mm hex key to remove the pneumatic panel.



M5X0.8 BY 6 BHCS-ZN

## 4.0 Recommended Spare Parts

Quantity:	Description:	Part Number:	Vendor:
3	M12, 8 PIN, FEMALE, A CODED, 5M LEADS	E11807	IFM
2	M12, 12 PIN, FEMALE, A CODED, 10M LEADS	E12503	IFM
1	M12, 5 PIN, FEMALE, A CODED, 5M LEADS	EVC071	IFM
1	NEMA 5-15 RECEPTACLE, PANEL MOUNT, SCREW TERMINALS	88261100	INTERPOWER
4	CASTER, LEVELING STYLE, 300 LBS, BLACK	2445T61	MCMMASTER CARR
1	IEC C13 TO NEMA 5-15, 18GA, 6FT	71535K51	MCMMASTER CARR
1	M12, 5 PIN, MALE TO FEMALE, A CODED, BULKHEAD	7000-42111-000000	MURR ELEKTRONIK
3	M12, 8 PIN, MALE TO FEMALE, A CODED, BULKHEAD	7000-48111-000000	MURR ELEKTRONIK
1	M12, 12 PIN, MALE, A CODED, FIELD WIREABLE CONNECTOR	1559592	PHOENIX CONTACT
2	IEC 320-C14 RECEPTACLE	6162.0061	SCHURTER
1	IEC C13 TO NEMA 5-15, 18GA, 1.5FT	P7B1-015	SF CABLE